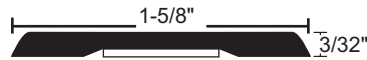


NGP-Edge® Sealing System for Excessive Fire Door and Frame Clearances

UL Certified Solutions for Fire doors with Excessive clearance between door and frame over 1/8", up to 5/16"



9200 Gray
9200DKB Brown



Anti-Microbial protection proven up to 99% effective at killing a wide range of bacteria including MRSA and E-coli

NGP-Edge® Intumescent Fire Seal

UL Certified Miscellaneous Fire Door Accessory for excessive door and frame clearances, measuring up to 5/16"

20 minute rated UL10B and UL10C wood or hollow metal fire doors

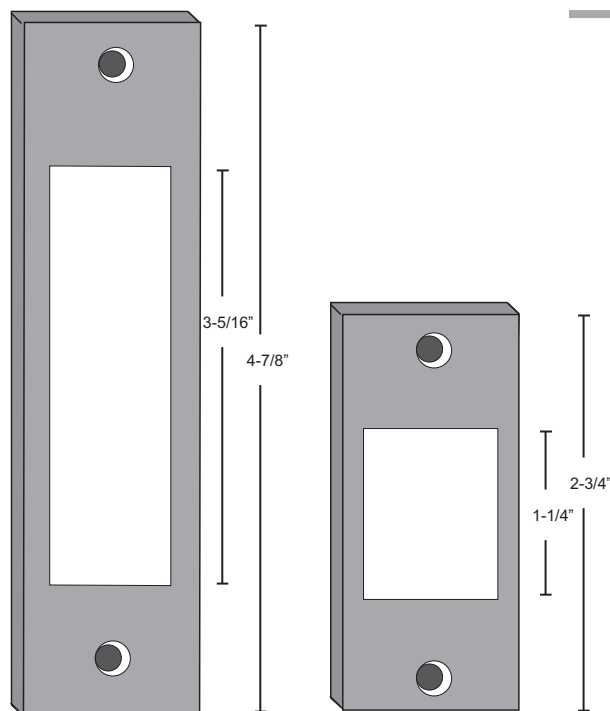
An NGP strike shim 9275 or 9225 is also required for proper latchbolt engagement.

Intumescent with PVC cover

Available in 36", 48", 84", 96" and 108" lengths

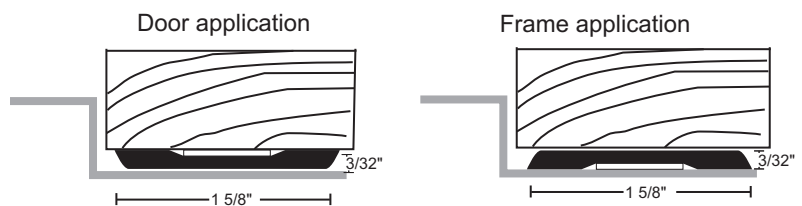
Self-Adhesive

See adhesive specifications on page G9



9275 Gray Paint finish

9225 Gray Paint finish



Strike Shims

9275 - Fits 4 7/8" 'ASA' Strike Plate

9225 - Fits 2 3/4" 'T' Strike Plate

UL Certified Miscellaneous Fire Door Accessory for excessive door and frame clearances, measuring up to 5/16"

20 minute rated UL10B and UL10C wood or hollow metal fire doors

NGP 9200 self adhesive intumescent seal is also required where excessive clearance occurs at jambs and head.

NGP-Edge® Sealing System for Excessive Fire Door Bottom Undercuts/Clearance

UL Certified Solutions for Fire doors with Excessive Door Bottom Clearances up to 1 1/2"

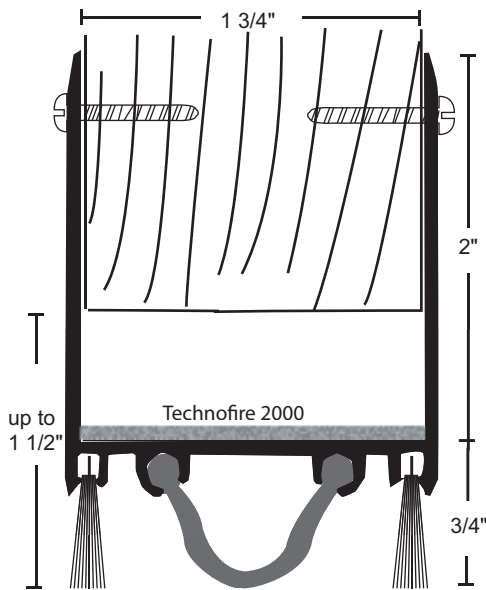
NGP-Edge® Intumescent Door Shoes

9250 Series

UL Certified Miscellaneous Fire Door Accessory for excessive door bottom undercuts/clearances, measuring up to 1 1/2"

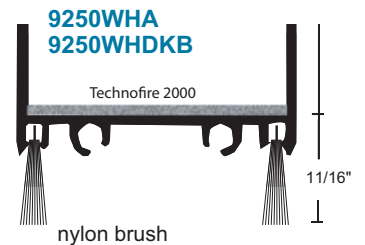
20 minute rated UL10B and UL10C wood or hollow metal fire doors

Restricts the passage of smoke

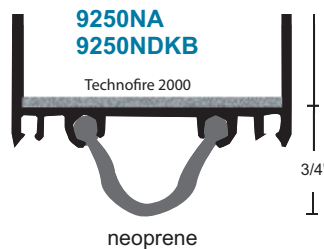


9250NWA neoprene & nylon brush
9250NWDKB neoprene & nylon brush

Gasketing options:

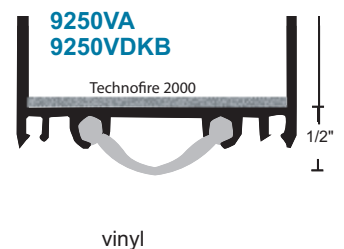


9250WHA
9250WHDKB
nylon brush



9250NA
9250NDKB

neoprene



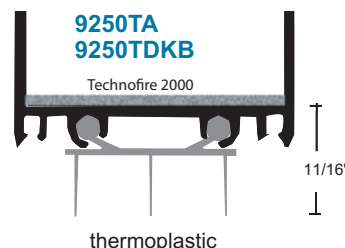
9250VA
9250VDKB

vinyl

#6 x 3/4" Stainless Steel SMS furnished.

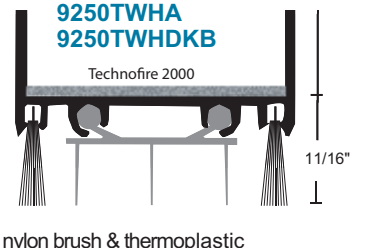
A- clear anodized
DKB - dark bronze

vinyl is gray
neoprene is black
thermoplastic is dark brown
nylon brush is gray with clear anodized; black with DKB metal



9250TA
9250TDKB

thermoplastic



9250TWA
9250TWDKB

nylon brush & thermoplastic